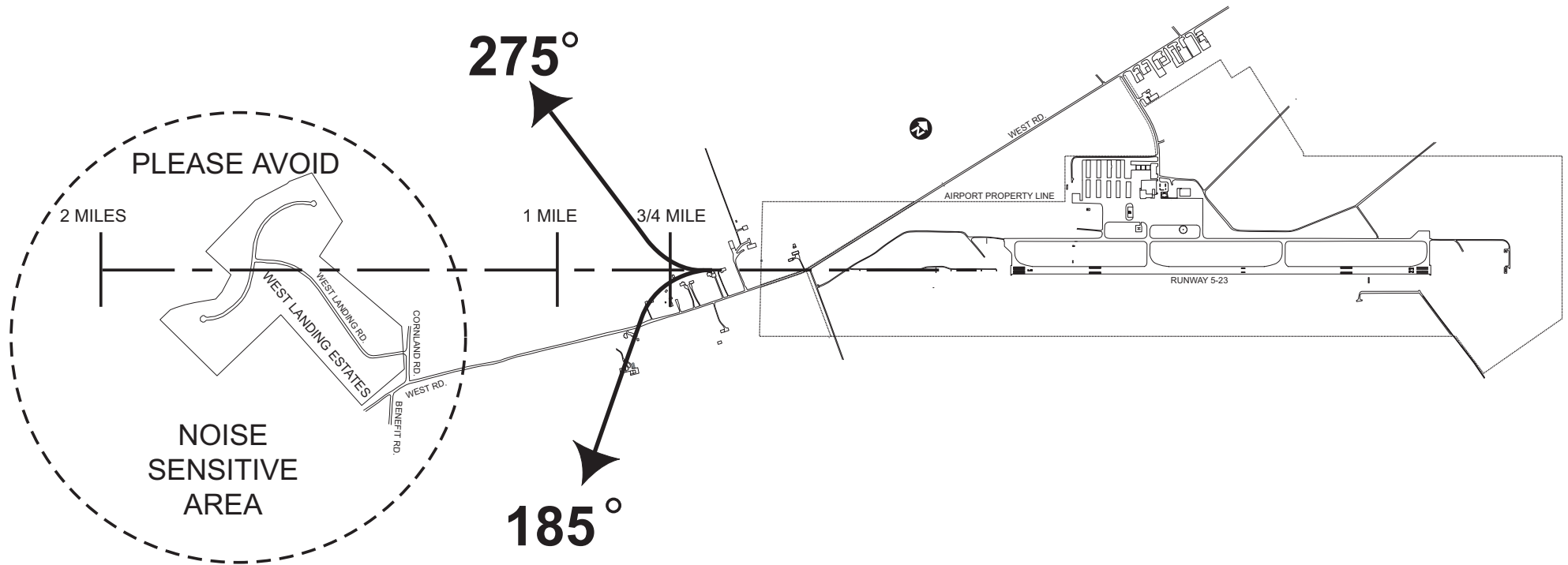


# CHESAPEAKE REGIONAL AIRPORT NOISE ABATEMENT PROCEDURE



DEPARTING RUNWAY 23 - PASSING THROUGH 400 FEET AGL  
OR REACHING 3/4 MILE FROM AIRPORT, TURN RIGHT TO 275°  
OR LEFT TO 185° UNTIL WELL CLEAR OF AREA.